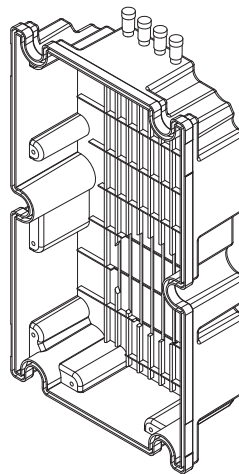
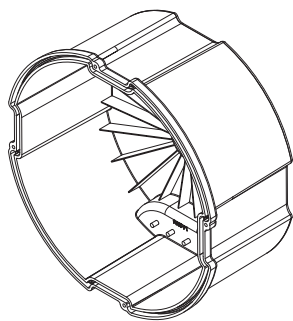




SONANCE[®]

RETROFIT ENCLOSURE INSTRUCTION MANUAL



Introduction

Sonance Retrofit Speaker Enclosures reduce sound transmission into rooms that are adjacent to speakers mounted in walls or in ceilings. For the enclosures to be effective it is important that they are installed according to the following directions to ensure a tight seal with the speaker.

For Standard Speaker Models

Select one set of “+” and “-” terminals on the Retrofit Enclosure and connect the wires to either set of “+” and “-” terminals on the speakers. Make sure to connect the red wire to the speaker’s “+” terminal and the black wire to the speaker’s “-” terminal.

Mark the set of terminals selected on the outside of the enclosure.

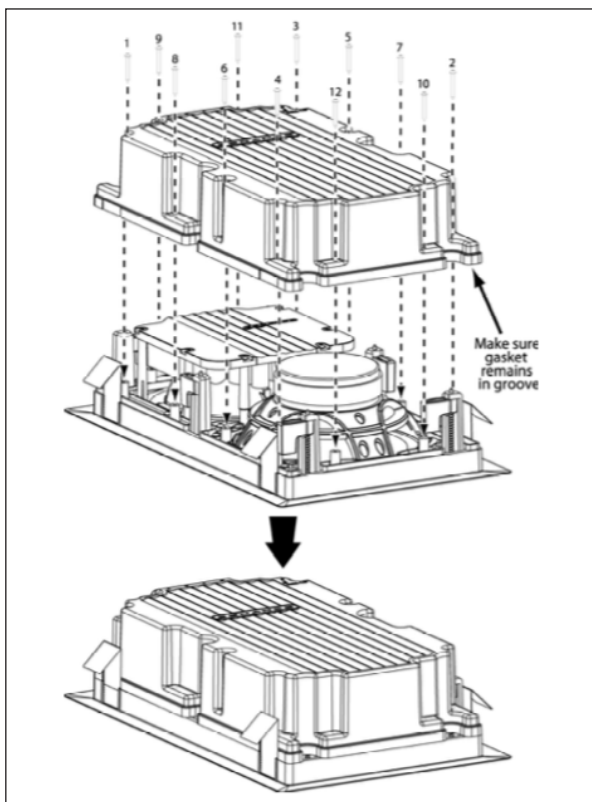
Use the provided screws to attach the enclosure to the speaker, fitting the groove on the edge of the enclosure onto the rim of the speaker.

NOTE: MAKE SURE THAT THE RUBBER GASKET REMAINS INSIDE OF THE GROOVE ON THE ENCLOSURE.

To ensure that the gasket sits properly, tighten the screws in a crisscross and diagonal pattern. See diagram of large rectangle below. Apply an equal amount of torque to each screw.

IMPORTANT: ALWAYS USE LOW-TORQUE SETTINGS. NEVER OVER TIGHTEN.

Connect the speaker wires from the amplifier to the set of terminals on the enclosure that were previously marked.



For Bi-Wired and Single Stereo Speakers

Remove the jumpers that connect the two sets of terminals on the speaker for bi-wired models. Connect one set of terminal wires from the Retrofit Enclosure to one set of the “+” and “-” terminals on the speaker. Connect the other set of terminal wires from the enclosure to the remaining set of “+” and “-” terminals on the speaker.

Attach the enclosure to the speaker with provided screws, fitting the groove on the edge of the enclosure onto the rim of the speaker.

NOTE: MAKE SURE THAT THE RUBBER GASKET REMAINS INSIDE OF THE GROOVE ON THE ENCLOSURE.

To ensure that the gasket sits properly, tighten the screws in a crisscross and diagonal pattern. Apply an equal amount of torque to each screw.

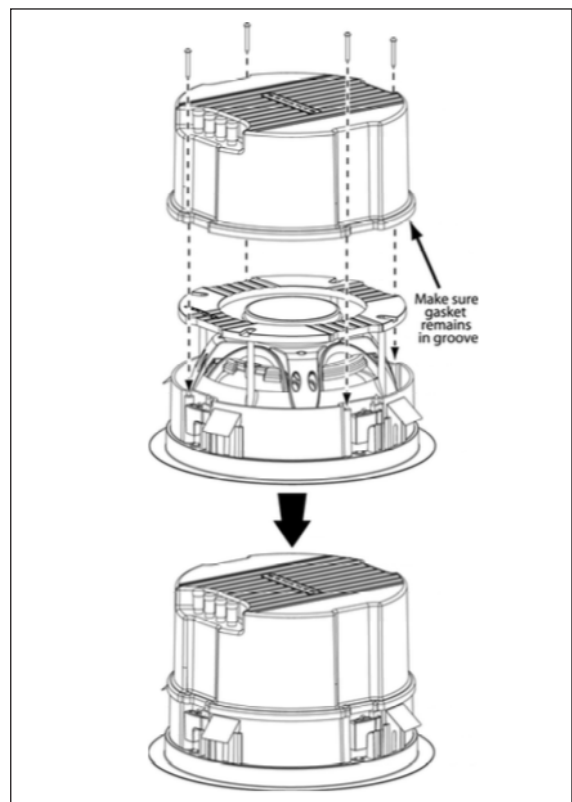
IMPORTANT: ALWAYS USE LOW-TORQUE SETTINGS. NEVER OVER TIGHTEN.

Connect both sets of speaker wires to the two sets of terminals on the enclosure. Make sure to check for proper polarity.

For Architectural Series Brackets

The installation is very similar except that the enclosure will attach to the Architectural Series bracket instead of the Architectural Series speaker.

NOTE: THIS MUST BE ACCOMPLISHED PRIOR TO INSTALLING THE ARCHITECTURAL SERIES BRACKET IN THE WALL OR CEILING.



LIMITED LIFETIME WARRANTY

Sonance warrants to the first end-user purchaser that this Sonance-brand product ("Product"), when purchased from an authorized Sonance Dealer/Distributor, will be free from defective workmanship and materials for the life of the Product, except for the grille, which is warranted for five (5) years. Sonance will at its option and expense either repair the defect or replace the Product with a new or remanufactured Product or a reasonable equivalent.

EXCLUSIONS

TO THE EXTENT PERMITTED BY LAW, THE WARRANTY SET FORTH ABOVE IS IN LIEU OF, AND EXCLUSIVE OF, ALL OTHER WARRANTIES, EXPRESS OR IMPLIED, AND IS THE SOLE AND EXCLUSIVE WARRANTY PROVIDED BY SONANCE. ALL OTHER EXPRESS AND IMPLIED WARRANTIES, INCLUDING THE IMPLIED WARRANTIES OF MERCHANTABILITY, IMPLIED WARRANTY OF FITNESS FOR USE, AND IMPLIED WARRANTY OF FITNESS FOR A PARTICULAR PURPOSE ARE SPECIFICALLY EXCLUDED. No one is authorized to make or modify any warranties on behalf of Sonance.

The warranty stated above is the sole and exclusive remedy and Sonance's performance shall constitute full and final satisfaction of all obligations, liabilities and claims with respect to the Product. IN ANY EVENT, SONANCE SHALL NOT BE LIABLE FOR CONSEQUENTIAL, INCIDENTAL, ECONOMIC, PROPERTY, BODILY INJURY, OR PERSONAL INJURY DAMAGES ARISING FROM THE PRODUCT, ANY BREACH OF THIS WARRANTY OR OTHERWISE.

This warranty statement gives you specific legal rights, and you may have other rights which vary from state to state. Some states do not allow the exclusion of implied warranties or limitations of remedies, so the above exclusions and limitations may not apply. If your state does not allow disclaimer of implied warranties, the duration of such implied warranties is limited to period of Sonance's express warranty.

Your Product Model and Description: Sonance Retrofit Enclosure

Additional Limitations and Exclusions from Warranty Coverage: The warranty described above is non-transferable, applies only to the initial installation of the Product, does not include installation of any repaired or replaced Product, does not include damage to allied or associated equipment which may result for any reason from use with this Product, and does not include labor or parts caused by accident, disaster, negligence, improper installation, misuse (e.g. overdriving the amplifier or speaker, excessive heat or cold or humidity, outdoor installation), or from service or repair which has not been authorized by Sonance.

Obtaining Authorized Service: To qualify for the warranty, you must contact your authorized Sonance Dealer/Installer or call Sonance Customer Service at (949) 492-7777, must obtain a return merchandise number (RMA), and must deliver the Product to Sonance shipping prepaid during the warranty period, together with the original sales receipt, or invoice or other satisfactory proof of purchase.



©2018 Sonance. All rights reserved.

Sonance and RotoLock are registered trademarks of Dana Innovations.

Due to continuous product improvement, all features and specifications are subject to change without notice.

For the latest Sonance product specification information visit our website: www.sonance.com

SONANCE • 991 Calle Amanecer • San Clemente, CA 92673 USA
(949) 492-7777 • FAX: (949) 361-5151 • Technical Support: (949) 492-7777