

INSTALLATION INSTRUCTIONS

LISTED FIRE-RATED BACKCAN FOR SONANCE SYMPHONY® IN-CEILING SPEAKERS



Introduction

Thank you for purchasing the Sonance Model #91906 fire-rated 6½" Round speaker backcan†.

†The Intertek Listed* fire-rated speaker backcan is a component in the Sonance In-Ceiling Speaker System (WHI Design Listing DII/PH 60-03), comprised of an Intertek Listed fire-rated metal backcan (Sonance Model #91906), and a Sonance Symphony® in-ceiling speaker (or equivalent speaker).

NOTE: THE INCLUSION OF A SONANCE SYMPHONY® 6½" ROUND FOOTPRINT IN-CEILING SPEAKER (OR EQUIVALENT SPEAKER) IS NOT REQUIRED IN THIS ASSEMBLY TO ACHIEVE THE 1-HR FIRE-RESISTANCE RATING.

Box Contents

The Backcan box should contain the following:

- (1) Intertek Listed Sonance Fire Rated Backcan
- (2) Snap2it™ wire clamps

Installation

1. Select locations in the ceiling for the Sonance Symphony® In-Ceiling Speaker per the speaker's instruction manual.

2. Run speaker wire to desired speaker locations.

NOTE: ALWAYS CHECK LOCAL BUILDING CODES BEFORE RUNNING WIRES THROUGH WALLS.

3. Open one of the knock-outs in the Backcan and install one of the Snap2it™ connectors into the open knockout.

NOTE: A SECOND SNAP2IT™ WIRE CLAMP IS INCLUDED FOR DAISY-CHAINED INSTALLATIONS. A SECOND KNOCK-OUT ON THE BACKCAN WILL NEED TO BE REMOVED FOR THIS TYPE OF INSTALLATION.

4. Attach the Backcan at the desired ceiling location to the horizontal joists through the pre-drilled holes in the flange of the speaker Backcan using a minimum of four (4) #8 x 1¼-inch long mechanical fasteners: one applied to each corner. See Figure 1.

5. Insert speaker wire through the Snap2it™ clamp and into the backcan. Leave enough slack to easily connect the speaker.

6. Cut a hole in the gypsum board‡ to match the circular opening in the Backcan.

‡ Gypsum Board Floor/Ceiling Assembly consisting of any one-hour rated floor-ceiling assembly rated in accordance

with ASTM E119, UL 263, NFPA 251, or CAN/ULC S 101.

7. Apply the gypsum board over the Backcan so that the hole is aligned with the Backcan opening. See Figure 2.

Follow the instructions included with the speaker for the remainder of the installation, or install a metal face plate to close the backcan opening.

*See Intertek Directory of Listed Building Products at: [http://etlwhidirectory.etlsemko.com/WebClients/ITS/DLP/Products.nsf/\\$\\$Search?OpenForm](http://etlwhidirectory.etlsemko.com/WebClients/ITS/DLP/Products.nsf/$$Search?OpenForm)

FIGURE 1: ATTACHING THE BACKCAN TO THE CEILING JOISTS

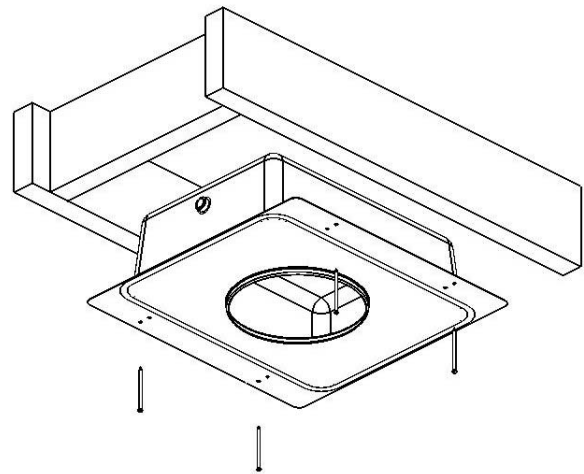
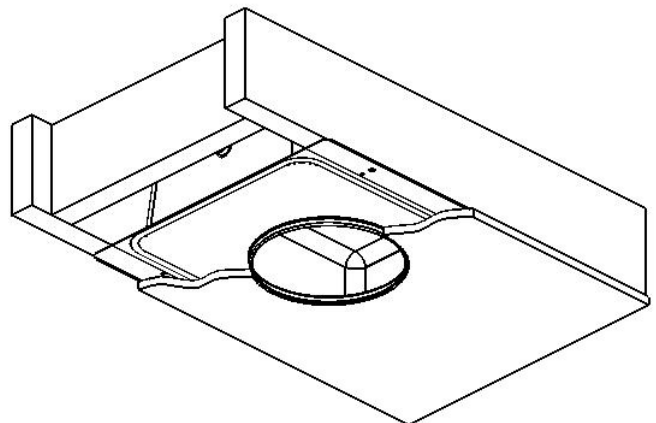


FIGURE 2: INSTALLING GYPSUM BOARD ON THE CEILING (ALIGN CUTOUT WITH SPEAKER OPENING IN BACKCAN)



Installation in a Drop Ceiling

NOTE: WHEN USING THIS LISTED FIRE-RATED BACKCAN IN A T-BAR CEILING, THE WEIGHT OF THE BACKCAN AND SPEAKER WILL CAUSE THE CEILING TILE TO SAG. TO AVOID THIS, WE RECOMMEND THAT YOU PURCHASE TWO CADDY® SNAP-ON FIXTURE/BAR HANGERS. THE BAR HANGERS CAN BE PURCHASED AT MOST ELECTRICAL SUPPLY COMPANIES.

YOU WILL NEED THE FOLLOWING CADDY® PRODUCTS TO INSTALL ONE BACKCAN:

- 2 PCS ELECTRICAL BOX HANGER (24" SPAN) PART #512
- 2 PCS BOX MOUNTING CLIP PART #BHC

Installing the Backcan

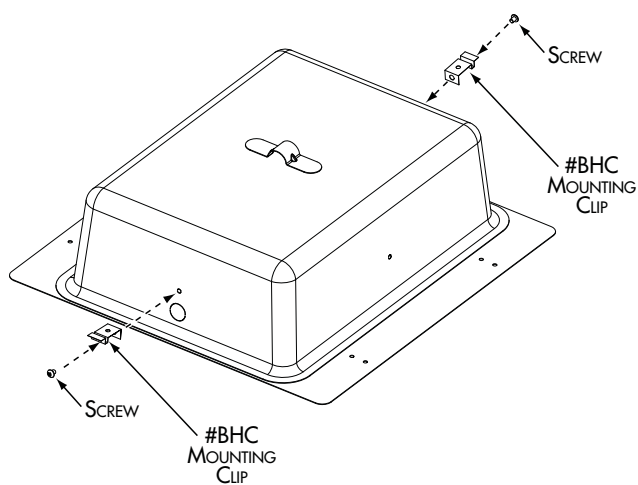
1. Run speaker wire to the desired speaker locations.
2. Open one of the knockouts in the Backcan and install one of the Snap2it™ wire clamp into the open knockout.

NOTE: A SECOND SNAP2IT™ WIRE CLAMP IS INCLUDED FOR DAISY-CHAINED INSTALLATIONS. A SECOND KNOCKOUT ON THE BACKCAN WILL NEED TO BE REMOVED FOR THIS TYPE OF INSTALLATION.

3. Attach the BHC clips to the Backcan ends using the screws included with the clips (see Figure 3).

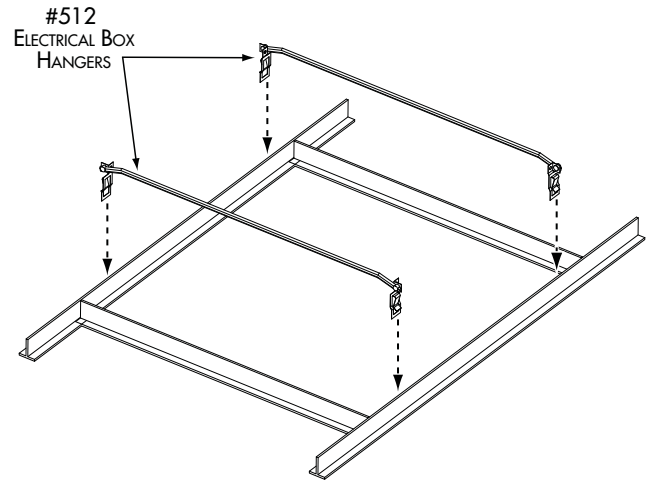
NOTE: YOU WILL NEED TO REMOVE TWO OF THE ¼" SCREWS FROM THE ENDS OF THE BACKCAN.

FIGURE 3: ATTACHING THE #BHC MOUNTING CLIPS TO THE BACKCAN



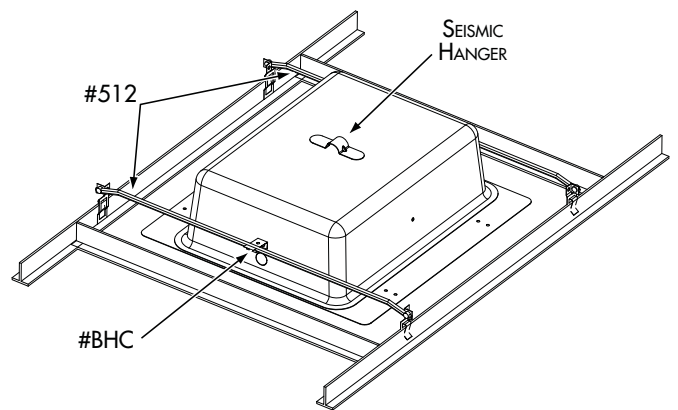
4. Cut the appropriate size hole in the ceiling tile material.
5. Attach the two 512 electrical box hangers to the T-bar ceiling grid (see Figure 4).

FIGURE 4: ATTACHING THE #512 HANGERS TO THE T-BAR CEILING GRID



6. Place the Backcan on the cut ceiling tile.
7. Once the Backcan is in place, connect the #512 hangers to the #BHC clips on the ends of the Backcan (see Figure 5).

FIGURE 5: CONNECTING THE #BHC CLIPS TO THE #512 HANGERS



8. Insert the speaker wire through the Snap2it™ wire clamp and into the Backcan. Leave enough slack to easily connect the speaker.
9. Follow the speaker instructions to mount the speaker into the Backcan.

Technical Assistance and Service

If you have any questions about the operation or installation of this product, please call our Technical Assistance Department on any business day at (800) 582-0772 or (949) 492-7777; from 7 a.m. to 5 p.m., PST.

If your product should need repair or service, contact your Sonance Authorized Dealer for help, or use the following procedure:

1. Prior to calling note the product's model number, serial number, purchase date, and the name and address of the dealer where you purchased the product.
2. Contact our Technical Assistance Department at the above number(s) and describe the problem the unit is experiencing. If applicable, they will issue a Return Authorization Number.

IMPORTANT: You must have prior authorization to return your product to Sonance!

3. If you're directed to return the unit to Sonance for repair, pack the unit in its original shipping carton. If needed, you can obtain replacement packaging from us for a small charge. It is best if you place the box into an additional outer "overcarton" before shipment to minimize a chance of theft in shipment. Please include a copy of the original bill of sale inside the package.
4. Contact a package delivery service such as United Parcel Service or Federal Express to arrange prepaid (not collect) shipping. Do not use the U.S. Postal Service.

IMPORTANT: Freight collect shipments will be refused.

5. Write the Return Authorization Number on the outside of the shipping carton.

6. Ship the packaged unit to:
Quality Assurance Department
Sonance
212 Avenida Fabricante
San Clemente, CA 92672-7531

Limited Warranty Coverage (U.S. Only)

Sonance warrants to the original retail purchaser only that this Sonance product will be free from defects in materials and workmanship for a period of five (5) years, provided the product was purchased from a Sonance Authorized Dealer.

Defective products must be shipped, together with proof of purchase, prepaid insured to the Authorized Sonance Dealer from whom they were purchased, or to the Sonance factory at the address listed on this instruction manual. Freight collect shipments will be refused. It is preferable to ship this product in the original shipping container to lessen the chance of transit damage. In any case, the risk or loss or damage in transit is to be borne by the purchaser. If upon examination at the factory or Authorized Sonance Dealer it is determined that the unit was defective in materials or workmanship at any time during this warranty period, Sonance or the Authorized Sonance Dealer will, at its option, repair or replace this product at no additional charge, except as set forth below. If this model is no longer available and cannot be repaired effectively, Sonance, at its sole option, may replace the unit with a current model of equal or greater value. In some cases where a new model is substituted, a modification to the mounting surface may be required. If mounting surface modification is required, Sonance assumes no responsibility or liability for such modification. All replaced parts and product become the property of Sonance. Products replaced or repaired under this warranty will be returned to the original retail purchaser, within a reasonable time, freight prepaid.

This Warranty does not include service or parts to repair damage caused by accident, disaster, misuse, abuse, negligence, inadequate packing or shipping procedures, commercial use, voltage inputs in excess of the rated maximum of the unit, or service, repair or modification of the product which has not been authorized or approved by Sonance. This Warranty also excludes normal cosmetic deterioration caused by environmental conditions. This Warranty will be void if the Serial Number on the product has been removed, tampered with or defaced. This Warranty is in lieu of all other expressed warranties. If the product is defective in materials or workmanship as warranted above, the purchaser's sole remedy shall be repair or replacement as provided above. In no event will Sonance be liable for any incidental or consequential damages arising out of the use or inability to use the product, even if Sonance or an Authorized Sonance Dealer has been advised of the possibility of such damages, or for any claim by any other party.

Some states do not allow the exclusion or limitation of consequential damages, so the above limitation and exclusion may not apply. All implied warranties on the product are limited to the duration of this expressed Warranty. Some states do not allow limitation on the length of an implied warranty. If the original retail purchaser resides in such a state, this limitation does not apply.

Exclusions and Limitations

The warranty set forth above is in lieu of all other warranties, express or implied, of merchantability, fitness for a particular purpose, or otherwise. The warranty is limited to Sonance products registered herein and specifically excludes any damage to loudspeakers and other allied or associated equipment which may result for any reason from use with this product. Sonance shall, in no event, be liable for incidental or consequential damages arising from any breach of this warranty or otherwise. This warranty gives you specific legal rights, and you may have other rights which vary from state to state.



SONANCE®

©2007 Sonance. All rights reserved. Sonance and Sonance Symphony are trademarks or registered trademarks of Dana Innovations.
Due to continuous product improvement, all specifications are subject to change without notice.
For the latest Sonance product specification information visit our website: www.sonance.com

SONANCE • 212 Avenida Fabricante • San Clemente, CA 92672-7531 • USA
800-582-7777 or 949-492-7777 • FAX: 949-361.5151 • Technical Support: 800-582-0772

www.sonance.com